

SIENA[®]
folding arm awning

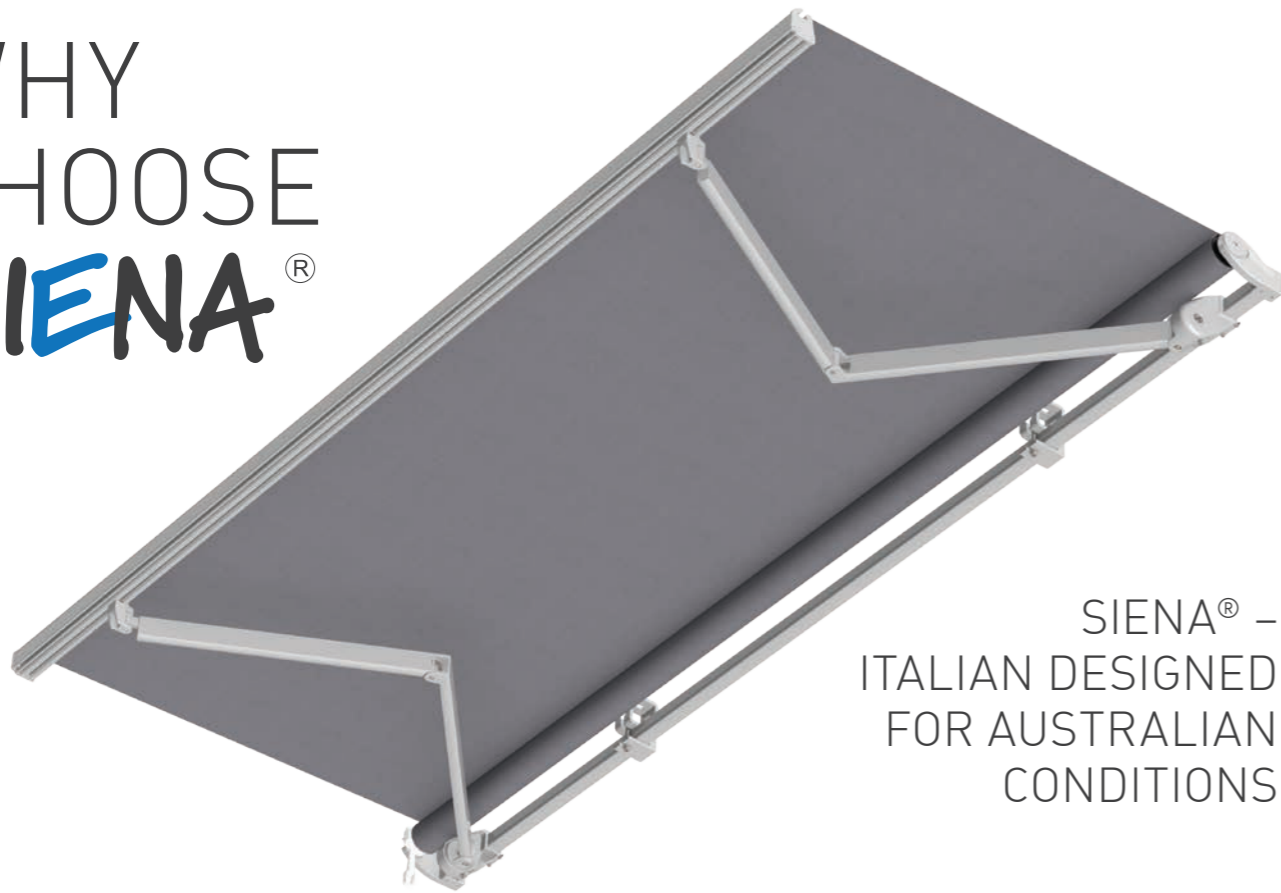


ITALIAN DESIGNED
FOR AUSTRALIAN CONDITIONS

sienaawning.com

5YEAR
WARRANTY
Terms & Conditions apply

WHY CHOOSE SIENA®



SIENA® – ITALIAN DESIGNED FOR AUSTRALIAN CONDITIONS



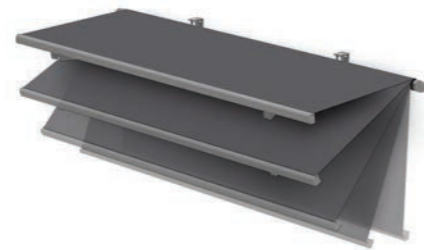
UNIQUE 8-LINK STAINLESS STEEL CHAIN

Thicker and stronger for superior arm strength



HEAVY-DUTY INTERNAL SPRINGS

Positive arm and fabric tension for taut fabric skin



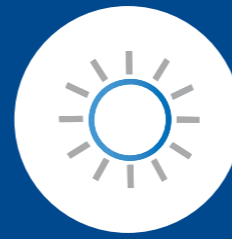
OPTIMAL PITCH ADJUSTMENT

Ensure perfect awning placement



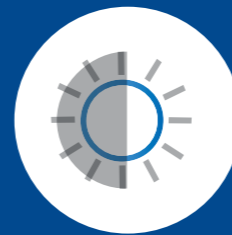
ADAPTABILITY

Paired with the latest technology whether a remote control hand set, your own mobile phone or voice activation via wireless hub technology, motorisation is the ultimate upgrade to your Siena® folding arm awning.



SUN & UV PROTECTION

Protection all year round



GLARE BLOCKING

Enjoy the view



HEAVY WEIGHT

Designed to perform



ADAPTABLE SHADE

Retract when you don't need it



SIENA® ADVANTAGE

The Italian inspired Siena® Folding Arm Awning (FAA) family of products has a pedigree going back 20+ years and is the ideal performer in the harsh Australian environment.

Tried and tested in Australia for years, its unique design has many advantages including:

- » Unique 8-link, stainless steel arm chain, superior to most currently on the market. Thicker, stronger chain engineered for peace-of-mind arm strength.
- » Heavy-duty internal arm springs ensure noticeably greater arm and fabric tension for a smooth taut fabric skin.

With endless options available the Siena® FAA range has:

- » One of the largest range of spans from 2m to 15m wide with projections up to 4m.
- » With a pitch range set at install from 0-90°, any solution from horizontal to vertical is possible.
- » With customer control pitch options from 0-45° on select models, user-friendly pitch adjustment is possible.
- » Designed for a variety of installs from face, fascia, roof, eave, to top fit.

With front rail gutters standard on all models and aluminium extruded pelmet options available, the Siena® FAA family is the ultimate product offer for a premium look and result.

COLOURS AVAILABLE



WHITE



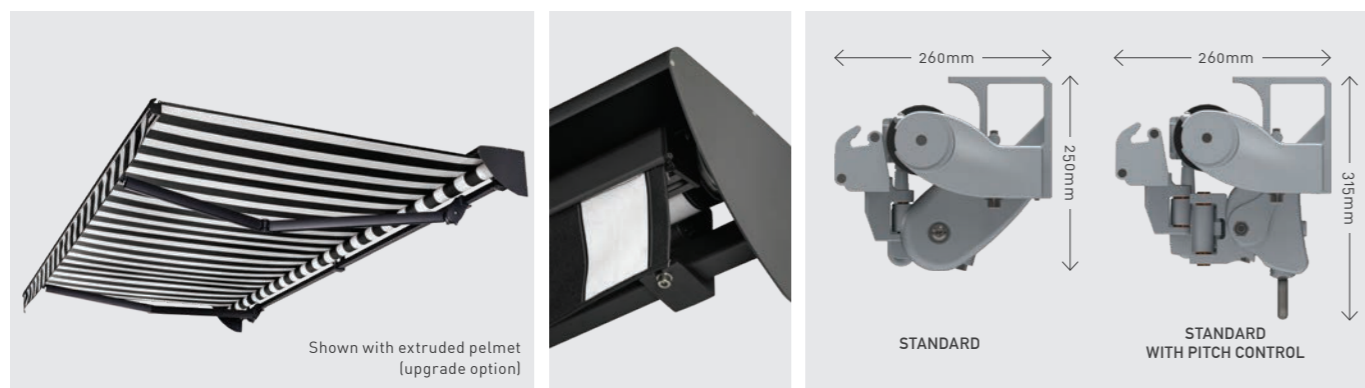
IVORY



SILVER



ONYX



With its sleek design and smooth motion its the benchmark for what folding arm awnings should be. Affordable, robust, wide span and with options including adjustable pitch control, front rail extension and extruded aluminium pelmet.

SIENA®	WIDTH	PROJECTION	INSTALL PITCH ADJUSTMENT 0-90°	PITCH CONTROL 0-45°	EXTRUDED PELMET	FRONT RAIL EX'SION	STABILISING POLES	CONTROL MECHANISM	INSTALL OPTIONS	COLOURS
STANDARD	2.0m → 15.0m (2-6 ARMS REQ.)	1.5m* → 3.5m*	✓	-	+	+	+	CRANK OR MOTOR	FACE, FACIA, ROOF, EAVE, TOP FIT + CUSTOM	○ ● ● ● ●
STANDARD WITH PITCH CONTROL	2.0m → 15.0m (2-6 ARMS REQ.)	1.5m* → 3.5m*	-	✓#	+	+	+	CRANK OR MOTOR	FACE, FACIA, ROOF, EAVE, TOP FIT + CUSTOM	○ ● ● ● ●

* Some sizes only # User operated † Fascia rafter fit requires timber beam which is not supplied + Upgrade option (at additional cost)



With built-in 8-link stainless steel chain technology and heavy-duty internal arm springs as standard, wide spans are no problems with this supersized solution. Widths up to 15m with 4m projections, installer pitch control options from 0-45°, and front rail and extruded pelmet options available, makes the Extreme the ultimate in design performance.

SIENA®	WIDTH	PROJECTION	INSTALL PITCH ADJUSTMENT 0-90°	PITCH CONTROL 0-45°	EXTRUDED PELMET	FRONT RAIL EX'SION	STABILISING POLES	CONTROL MECHANISM	INSTALL OPTIONS	COLOURS
EXTREME	4.5m → 15.0m (2-5 ARMS REQ.)	4.0m	✓	-	+	+	+	MOTOR	FACE, FACIA, ROOF, EAVE, TOP FIT + CUSTOM	○ ● ● ● ●

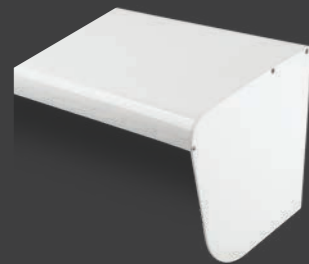
* Some sizes only # User operated † Fascia rafter fit requires timber beam which is not supplied + Upgrade option (at additional cost)

SIENA[®] UPGRADE OPTIONS

EXTRUDED PELMET

Heavy-duty aluminium extruded pelmet. All-weather protection that looks great.

COMES STANDARD ON:
SEMI-CASSETTE
INC WITH PITCH CONTROL



UPGRADE AVAILABLE ON:
STANDARD / STANDARD
WITH PITCH CONTROL /
EXTREME / X-OVER / MODENA



FRONT RAIL EXTENSION

Australian design versatility for enhanced shade and weather protection.

COMES STANDARD ON:
SEMI-CASSETTE
INC WITH PITCH CONTROL



UPGRADE AVAILABLE ON:
STANDARD / STANDARD
WITH PITCH CONTROL /
EXTREME / X-OVER / MODENA



STABILISING POLES

For when you need extra protection. Peace-of-mind performance for extra heavy wide spans.

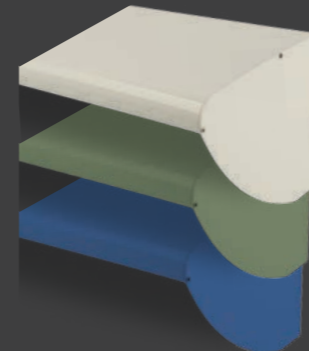


UPGRADE AVAILABLE ON:
STANDARD / STANDARD
WITH PITCH CONTROL /
EXTREME / X-OVER / MODENA



CUSTOM COLOUR

Use your imagination with any colour available. High performance coatings to last a lifetime.

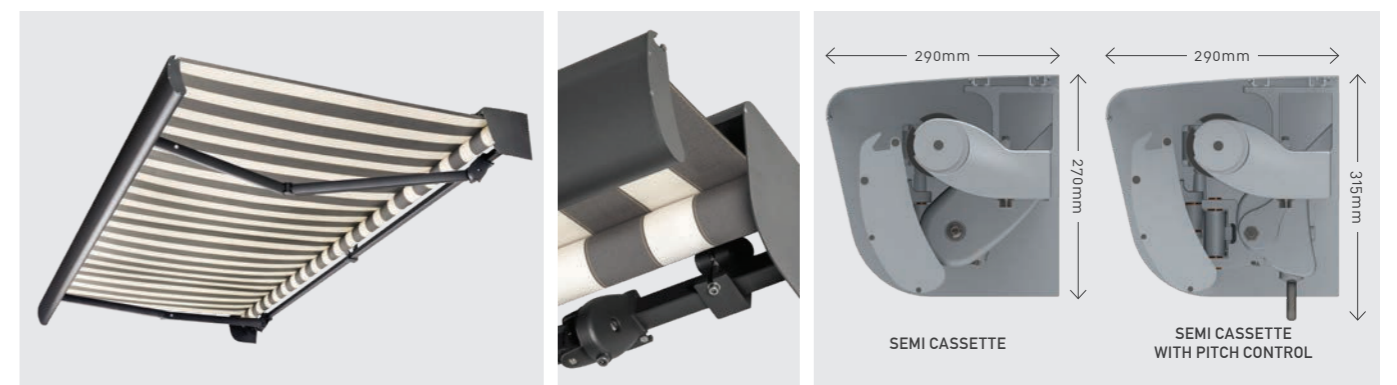


UPGRADE AVAILABLE ON:
ALL MODELS
EXCEPT MODENA &
DONATELLO



SIENA[®]

» SEMI-CASSETTE «



Australian designed with its unique front rail extension, the Semi-Cassette is the attractive solution for any application. With an extruded aluminium pelmet and optional pitch control, it's the user-friendly compliment to any application.

ASK ABOUT
OUR EXTENDED
WARRANTY
PROGRAM

SIENA[®]
folding arm awning

EXTENDED
WARRANTY
PROGRAM

Terms & Conditions apply

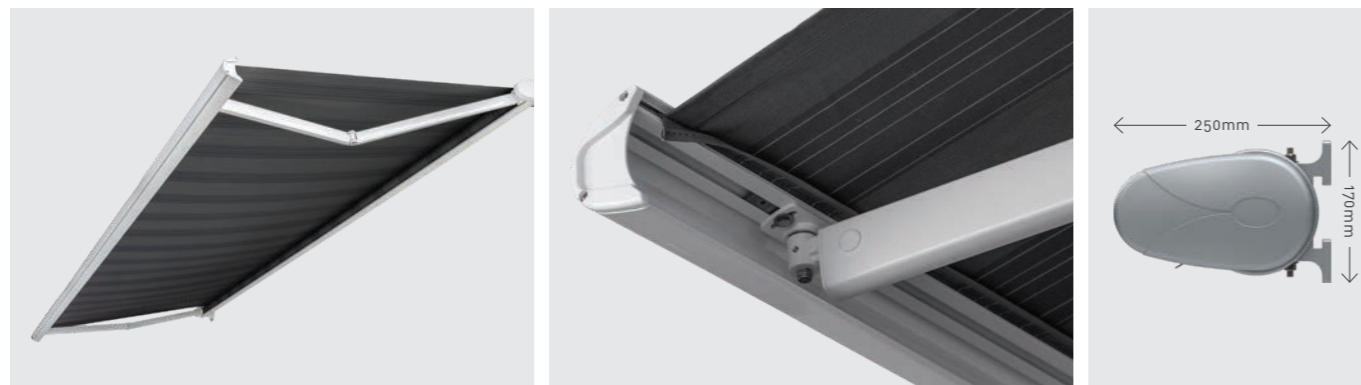
SIENA [®]	WIDTH	PROJECTION	INSTALL PITCH ADJUSTMENT 0-90°	PITCH CONTROL 0-45°	EXTRUDED PELMET	FRONT RAIL EX'SION	STABILISING POLES	CONTROL MECHANISM	INSTALL OPTIONS	COLOURS
SEMI-CASSETTE	2.0m → 6.0m (2 ARMS REQ.)	1.5m* → 4.0m*	✓	-	✓	✓	-	CRANK OR MOTOR	FACE, FACIA, ROOF, EAVE, TOP FIT	○ ● ● ● + CUSTOM
SEMI-CASSETTE WITH PITCH CONTROL	2.0m → 6.0m (2 ARMS REQ.)	1.5m* → 3.5m*	-	✓ [#]	✓	✓	-	CRANK OR MOTOR	FACE, FACIA, ROOF, EAVE, TOP FIT	○ ● ● ● + CUSTOM

* Some sizes only # User operated † Fascia rafter fit requires timber beam which is not supplied + Upgrade option (at additional cost)



SIENA[®]

» CASSETTE «



This signature product in the range is the ultimate in folding arm technology. With a fully-enclosed slimline cassette system for enhanced weather protection, the sleek front rail is designed to fully retract inside its extruded aluminium headbox. Pair with Linx[®] Automation for optimal performance.

SIENA [®]	WIDTH	PROJECTION	INSTALL PITCH ADJUSTMENT 0-90°	PITCH CONTROL 0-45°	EXTRUDED PELMET	FRONT RAIL EX'SION	STABILISING POLES	CONTROL MECHANISM	INSTALL OPTIONS	COLOURS
CASSETTE	2.0m → 6.0m (2 ARMS REQ.)	1.5m* → 3.5m*	✓	-	-	-	-	MOTOR	FACE, TOP FIT†	<input type="radio"/> <input type="radio"/> <input type="radio"/> <input type="radio"/> + CUSTOM

* Some sizes only # User operated † Fascia rafter fit requires timber beam which is not supplied + Upgrade option (at additional cost)



SIENA[®]

» DONATELLO «



The flagship wide-width cassette system. With a fully enclosed cassette system for enhanced weather protection, this extra wide system is designed to fully retract inside its sleek headbox. With widths from 5m-7m it is the premium Siena[®] folding arm solution. Pair with Linx[®] Automation for optimal performance.

SIENA [®]	WIDTH	PROJECTION	INSTALL PITCH ADJUSTMENT 0-90°	PITCH CONTROL 0-45°	EXTRUDED PELMET	FRONT RAIL EX'SION	STABILISING POLES	CONTROL MECHANISM	INSTALL OPTIONS	COLOURS
DONATELLO	5.0m → 7.0m (2-3 ARMS REQ.)	2.5m* → 4.0m*	✓	-	-	-	-	MOTOR	FACE FIT	<input type="radio"/> <input type="radio"/>

* Some sizes only # User operated † Fascia rafter fit requires timber beam which is not supplied + Upgrade option (at additional cost)



When space is limited but shade is important the X-over is the practical solution. Compact, versatile and robust this user-friendly option is proof that big things come in small packages.

SIENA®	WIDTH	PROJECTION	INSTALL PITCH ADJUSTMENT 0-90°	PITCH CONTROL 0-45°	EXTRUDED PELMET	FRONT RAIL EX'SION	STABILISING POLES	CONTROL MECHANISM	INSTALL OPTIONS	COLOURS
X-OVER	1.5m → 4.0m (2 ARMS REQ.)	1.5m* → 3.5m*	✓	-	+		+	CRANK OR MOTOR	FACE, FACIA, ROOF, EAVE, TOP FIT	○ ● ● ● ● + CUSTOM

* Some sizes only # User operated † Fascia rafter fit requires timber beam which is not supplied + Upgrade option (at additional cost)



Entry-level doesn't need to mean under performance. Stylish, compact and a slimline design profile with an extruded aluminium pelmet option, makes the Modena a practical solution for any budget.

SIENA®	WIDTH	PROJECTION	INSTALL PITCH ADJUSTMENT 0-90°	PITCH CONTROL 0-45°	EXTRUDED PELMET	FRONT RAIL EX'SION	STABILISING POLES	CONTROL MECHANISM	INSTALL OPTIONS	COLOURS
MODENA	2.5m → 5.0m (2 ARMS REQ.)	1.5m* → 2.5m*	✓	-	+		+	CRANK OR MOTOR	FACE, FACIA, ROOF, EAVE, TOP FIT	○

* Some sizes only # User operated † Fascia rafter fit requires timber beam which is not supplied + Upgrade option (at additional cost)

WHICH PRODUCT IS RIGHT FOR YOU?



SIENA®	WIDTH	PROJECTION	INSTALL PITCH ADJUSTMENT 0-90°	PITCH CONTROL 0-45°	EXTRUDED PELMET	FRONT RAIL EXTENSION	STABILISING POLES	CONTROL MECHANISM	INSTALL OPTIONS	COLOURS
STANDARD	2.0m → 15.0m (2-6 ARMS REQ.)	1.5m* → 3.5m*	✓	-	+	+	+	CRANK OR MOTOR	FACE, FACIA, ROOF, EAVE, TOP FIT	○ ● ● ● ● + CUSTOM
STANDARD WITH PITCH CONTROL	2.0m → 15.0m (2-6 ARMS REQ.)	1.5m* → 3.5m*	-	✓#	+	+	+	CRANK OR MOTOR	FACE, FACIA, ROOF, EAVE, TOP FIT	○ ● ● ● ● + CUSTOM
EXTREME	4.5m → 15.0m (2-5 ARMS REQ.)	4.0m	✓	-	+	+	+	MOTOR	FACE, FACIA, ROOF, EAVE, TOP FIT	○ ● ● ● ● + CUSTOM
SEMI-CASSETTE	2.0m → 6.0m (2 ARMS REQ.)	1.5m* → 4.0m*	✓	-	✓	✓	-	CRANK OR MOTOR	FACE, FACIA, ROOF, EAVE, TOP FIT	○ ● ● ● ● + CUSTOM
SEMI-CASSETTE WITH PITCH CONTROL	2.0m → 6.0m (2 ARMS REQ.)	1.5m* → 3.5m*	-	✓#	✓	✓	-	CRANK OR MOTOR	FACE, FACIA, ROOF, EAVE, TOP FIT	○ ● ● ● ● + CUSTOM
CASSETTE	2.0m → 6.0m (2 ARMS REQ.)	1.5m* → 3.5m*	✓	-	-	-	-	MOTOR	FACE, TOP FIT†	○ ● ● ● ● + CUSTOM
DONATELLO	5.0m → 7.0m (2-3 ARMS REQ.)	2.5m* → 4.0m*	✓	-	-	-	-	MOTOR	FACE FIT	○ ●
X-OVER	1.5m → 4.0m (2 ARMS REQ.)	1.5m* → 3.5m*	✓	-	+	-	+	CRANK OR MOTOR	FACE, FACIA, ROOF, EAVE, TOP FIT	○ ● ● ● ● + CUSTOM
MODENA	2.5m → 5.0m (2 ARMS REQ.)	1.5m* → 2.5m*	✓	-	+	-	+	CRANK OR MOTOR	FACE, FACIA, ROOF, EAVE, TOP FIT	○

* Some sizes only # User operated † Fascia rafter fit requires timber beam which is not supplied + Upgrade option (at additional cost)

YOUR SIENA® SPECIALIST:

22 Concord Crescent
Carrum Downs
VIC Australia 3201

info@sienaawning.com.au
australianawning.group

